

4Ch/8Ch Compact CWDM

Auxora's Compact CWDM is an integrated optical device based on free-space technology and our expertise in lens simulation which can significantly improve optical performance and reduce packaging size to one quarter of the conventional CWDM modules.

The CWDM module features compact size, ultra-low IL and super thermal stability, which makes it to be used for Datacom/Telecom network applications with low-cost un-cooled lasers.



FEATURES

- Compact size & epoxy free optical path
- Good channel uniformity
- Ultra-low insertion loss
- Telcordia GR-1221 and GR1209 compliant

APPLICATIONS

- Access networks
- Metro WDM systems
- Telecommunications
- 4G/5G LTE mobile system

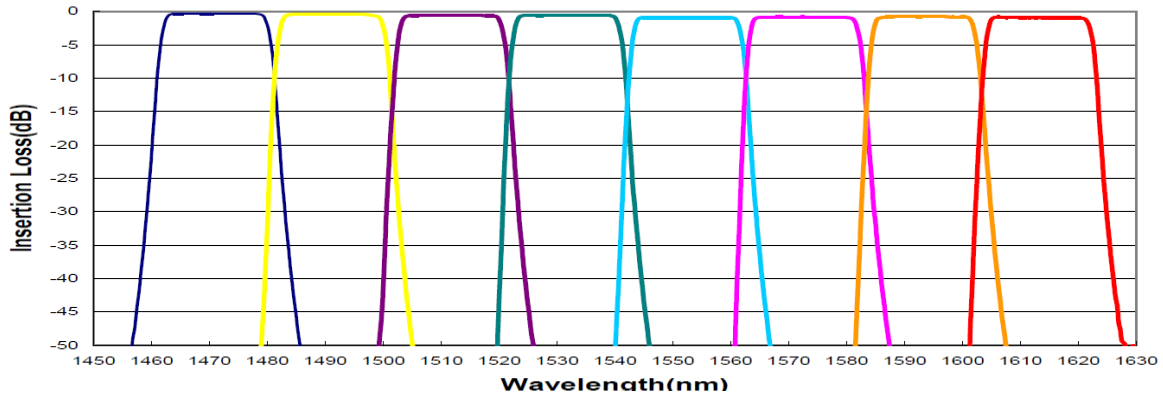
SPECIFICATIONS

| Parameter | | 4CH | 8CH | 4CH+1310/EXP | 8CH+1310/EXP |
|-----------------------------------|----------------|---------------------|------------|---------------|--------------|
| Operating Wavelength (nm) | | 1260~1620 | | | |
| CWDM Channel Spacing (nm) | | 20nm ITU Grid | | | |
| CWDM Channel Passband (nm) | | $\lambda_c \pm 6.5$ | | | |
| 1310nm Channel Passband (nm) | | N/A | | 1310 \pm 50 | |
| Insertion Loss (dB) | CWDM Channel | ≤ 1.2 | ≤ 1.6 | ≤ 1.2 | ≤ 1.6 |
| | 1310nm Channel | N/A | | ≤ 1.2 | ≤ 1.2 |
| | EXP Port | N/A | | ≤ 1.2 | ≤ 1.5 |
| Passband Ripple (dB) | | ≤ 0.5 | | ≤ 0.5 | |
| Isolation (dB) | Adjacent | ≥ 30 | | ≥ 30 | |
| | Non-adjacent | ≥ 45 | | ≥ 45 | |
| | 1310nm Channel | N/A | | ≥ 30 | |
| | EXP Port | N/A | | ≥ 12 | |
| Polarization Dependent Loss (dB) | | ≤ 0.1 | | | |
| Directivity (dB) | | ≥ 50 | | | |
| Return Loss (dB) | | ≥ 50 | | | |
| Polarization Mode Dispersion (ps) | | ≤ 0.1 | | | |
| Power Handling (mW) | | ≤ 500 | | | |
| Operating Temperature (°C) | | -40~85 | | | |
| Storage Temperature (°C) | | -40~85 | | | |
| Package Dimensions(mm) | | 45x26x6.5 | | | |
| Fiber type | | ITU-T G657.A2 | | | |

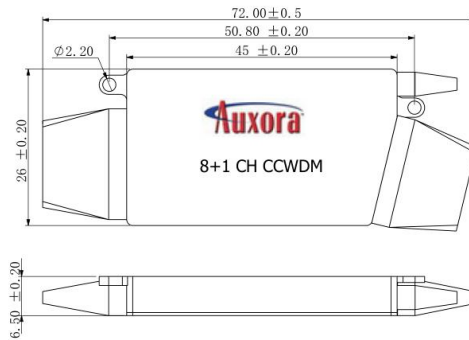
NOTES:

- 1) All specifications are based on the devices without connectors, and guaranteed over wavelength, polarization and temperature.
- 2) PMD and chromatic dispersion values are guaranteed by design.
- 3) IL is 0.3 dB higher, RL is 5 dB lower for connector added.
- 4) Specifications are subject to change without notice.

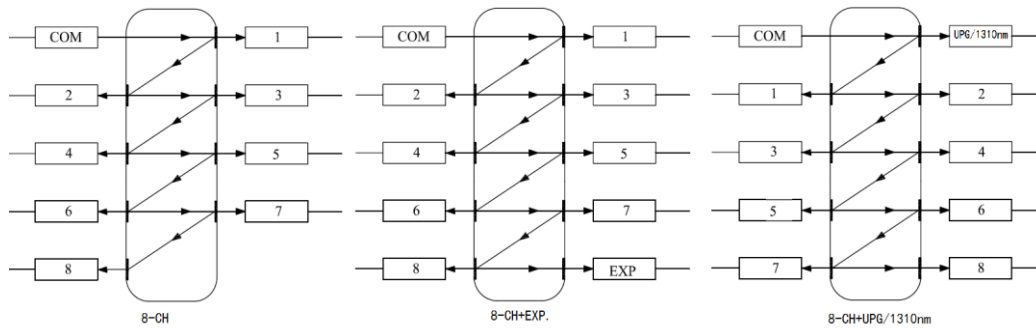
Spectral Diagram(Typical of 8 channel CWDM):



Package Dimensions (mm):



Port Configuration:



Ordering Information: (e.g. ACCM-1D080147C11-1010-55)

| ACCM- | X | X | XX | XX(X) | XX | XX | X | - | XX | XX | - | X | X | | | | |
|------------|---------------|---------|---------------------------|--------------|--------------|--------------------|---------------|---------------|--------------|--------------|---|---|---|--------------|--------|-----------|--------|
| | | | | | | | | | | | | | | Fiber Length | | Connector | |
| | | | | | | | | | | | | | | Input | Output | Input | Output |
| 0=0 Serial | M=Mux | 01=1-CH | 00=None | 27=1270/1271 | C1=45x26x6.5 | 0=250um Bare fiber | 10=1.0m | 10=1.0m | 0=None | 0=None | | | | | | | |
| 1=1 Serial | D=Demux | 02=2-CH | 01=1310nm Port | 29=1290/1291 | | 1=900um Tube | 12=1.2m | 12=1.2m | 1=FC/UPC | 1=FC/UPC | | | | | | | |
| | X= customized | | 02=Monitor Port | | | X=Customized | | | 2=FC/APC | 2=FC/APC | | | | | | | |
| | | 08=8-CH | 03=Express Port | 61=1610/1611 | | | 15=1.5m | 15=1.5m | 3=SC/UPC | 3=SC/UPC | | | | | | | |
| | | | 04=UPG with Skipper | | | | XX=customized | XX=customized | 4=SC/APC | 4=SC/APC | | | | | | | |
| | | | 12=1310nm+Mon. | | | | | | 5=LC/UPC | 5=LC/UPC | | | | | | | |
| | | | 13=1310nm+EXP. | | | | | | 6=LC/APC | 6=LC/APC | | | | | | | |
| | | | 42=UPG+Monitor | | | | | | X=Customized | X=Customized | | | | | | | |
| | | | --- | | | | | | | | | | | | | | |
| | | | 123=Express+Monitor +EXP. | | | | | | | | | | | | | | |